



# GeoLite™ – Festoon

# Data Sheet

## GF05CCXXK-12

## 0.5W, 12V AC-LED Lamp

The GeoLite 0.5-Watt Festoon Lamp replaces existing 5-Watt Xenon Lamps in existing or new 12 VAC Systems. These lamps can be used in numerous applications including; Cove Lighting, Under Cabinet Lighting, Accent Lighting, Display Lighting and more. Key benefits for this product include:



- **Significant Energy Savings – Uses up to ten times less power!**
  - **Compatible with existing 12V AC Systems – Plug & Play.**
  - **Dimmable – Works with most existing AC Dimmers.**
  - **Long Operating Life – 50,000 hours if used as specified!**
  - **Also in Frosted Lens (GF05CFXXK-12) – Reduces Glare & Provides Softer Light.**
- **Electro-Optical Characteristics**

Model Number	CCT	VAC	Power	Lumen	lm/W
GF05CC27K-12	2700K	12 VAC Maximum	0.5 Watt	20	40
GF05CC30K-12	3000K	12 VAC Maximum	0.5 Watt	23	46
GF05CC40K-12	4000K	12 VAC Maximum	0.5 Watt	27	54
GF05CC50K-12	5000K	12 VAC Maximum	0.5 Watt	30	60

LPW data is based on system efficiency @ 12 VAC. Values based on Ta = 25°C & Tj = 70°C.

- **Operating Characteristics (single Lamp)**

Characteristic	GF05CCXXK-12
Drive Voltage	Minimum = 7.5 VAC, Maximum = 12.0 VAC
Thermal Management	T-Junction Maximum = 70°C
Viewing Angle	140°
CCT Options (W-C)	3000K, 4000K, 5000K per ANSI_NEMA_ANSI C78.377-2008
CRI Options (W-C)	Standard = 85, High = 92

- **Powering Specifications**

Power Supply/Driver	Output RMS	Frequency	Minimum Load	Dimming
BriteDriver™ (Recommended)	12 VAC	44 kHz	1 Watt	Input
12 VAC Magnetic	12 VAC	50/60 Hz	5 Watt	Input

**Warning – Do Not Power Festoon Lamp with more than 12V AC.** Use only with Lynk Labs' BriteDriver™ AC LED Power Supplies or other approved transformers. Any Exceptions Void all warranties. Contact Lynk Labs for details and approvals.

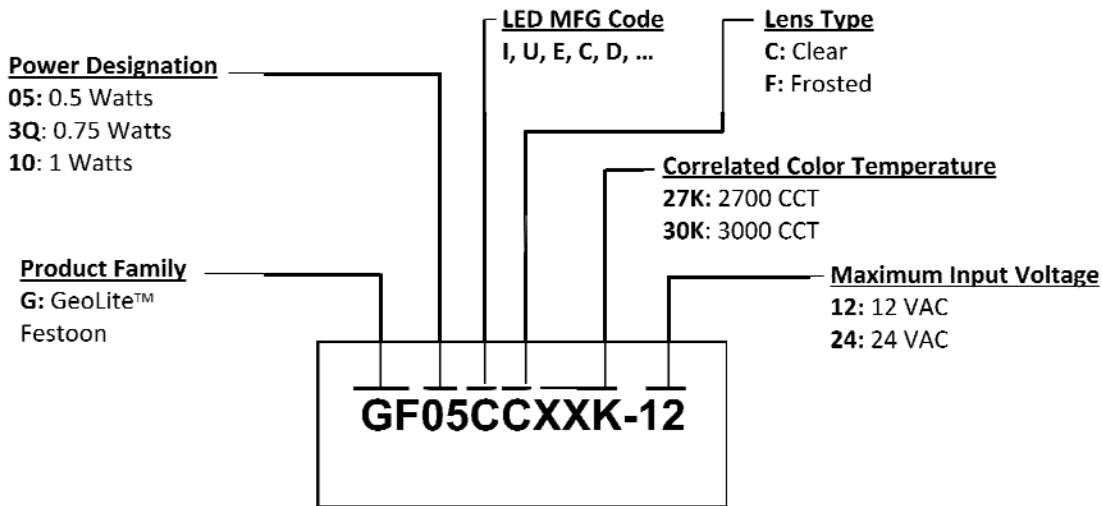


• **Dimensions – Single GeoLite™, Festoon Lamp**

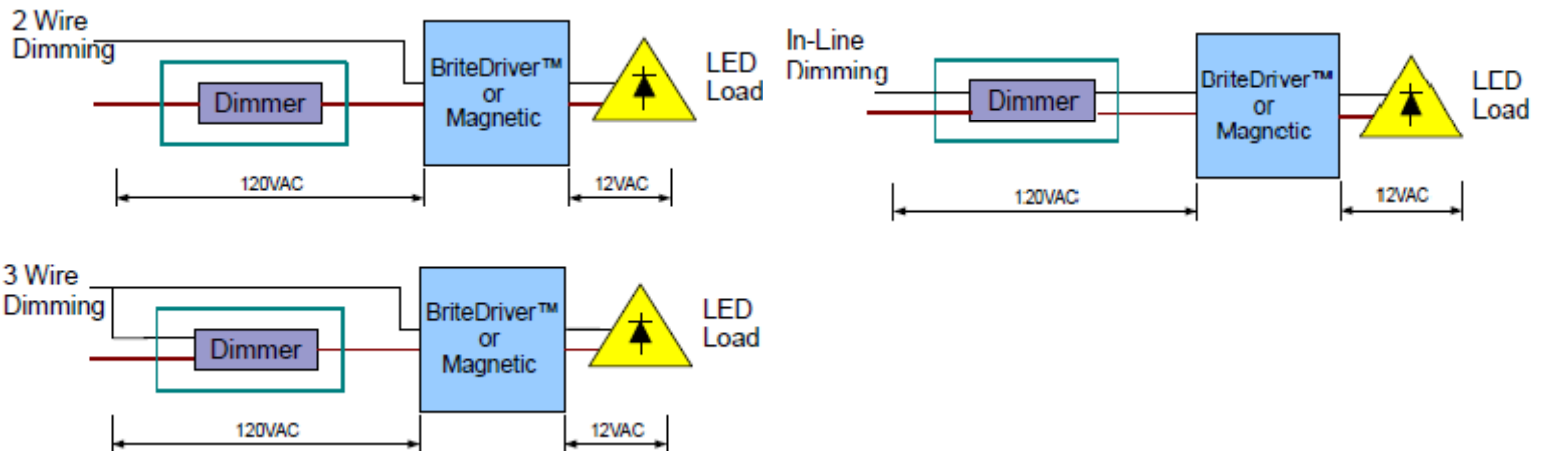
GF05CCXXK-12	Length	Width	Height
Size in Millimeters	44.5 mm	17.5 mm	12.7 mm
Size in Inches	1 ¾"	¾"	½"



• **Part Numbering**



• **Typical Dimmer Configurations**



• **Pricing, Availability and Ordering information is available from Lynk Labs at:**  
 Telephone; 847-783-0123, Email; [sales@lynklabs.com](mailto:sales@lynklabs.com), Web; [www.lynklabs.com](http://www.lynklabs.com)

