



# GeoLite™ – Festoon

# Data Sheet

## GF10CCXXK-24

## 1.0W, 24V AC-LED Lamp

The GeoLite 1.0-Watt Festoon Lamp replaces existing 5-Watt Xenon Lamps in existing or new 24 VAC Systems. These lamps can be used in numerous applications including; Cove Lighting, Under Cabinet Lighting, Accent Lighting, Display Lighting and more. Key benefits for this product include:



- **Significant Energy Savings – Uses up to 5 times less power!**
- **Compatible with existing 24V AC Systems – Plug & Play.**
- **Dimmable – Works with most existing AC Dimmers.**
- **Long Operating Life – 50,000 hours if used as specified!**
- **Also in Frosted Lens (GF10CFXXK-24) – Reduces Glare & Provides Softer Light.**

- **Electro-Optical Characteristics**

Model Number	CCT	VAC	Power	Lumen	lm/W
GF10CC27K-24	2700K	24 VAC Maximum	1.0 Watt	20	20
GF10CC30K-24	3000K	24 VAC Maximum	1.0 Watt	23	23
GF10CC40K-24	4000K	24 VAC Maximum	1.0 Watt	27	27
GF10CC50K-24	5000K	24 VAC Maximum	1.0 Watt	30	30

LPW data is based on system efficiency @ 24 VAC. Values based on Ta = 25°C & Tj = 70°C.

- **Operating Characteristics (single Lamp)**

Characteristic	GF10CCXXK-24
Drive Voltage	Minimum = 7.5 VAC, Maximum = 24.0 VAC
Thermal Management	T-Junction Maximum = 70°C
Viewing Angle	140°
CCT Options (W-C)	2700K, 3000K, 4000K, 5000K; ANSI_NEMA_ANSI C78.377-2008
CRI Options (W-C)	Standard = 85, High = 92

- **Powering Specifications**

Power Supply/Driver	Output RMS	Frequency	Minimum Load	Dimming
24 VAC Electronic (Recommended)	24 VAC	40 kHz	1 Watt	Input
24 VAC Magnetic	24 VAC	50/60 Hz	5 Watt	Input

**Warning – Do Not Power Festoon Lamp with more than 24V AC.** Use only with Lynk Labs' approved transformers. Any Exceptions Void all warranties. Contact Lynk Labs for details and approvals.

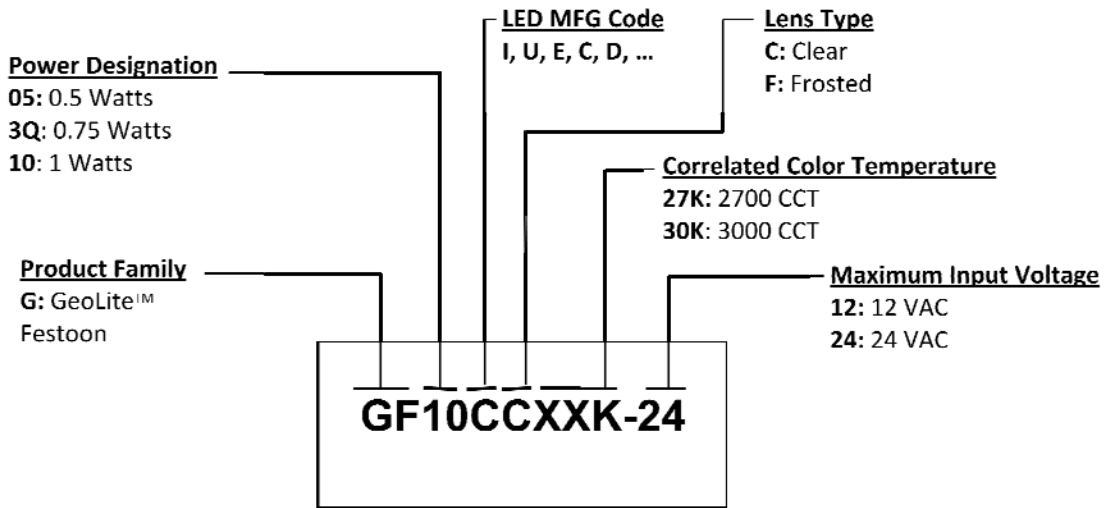




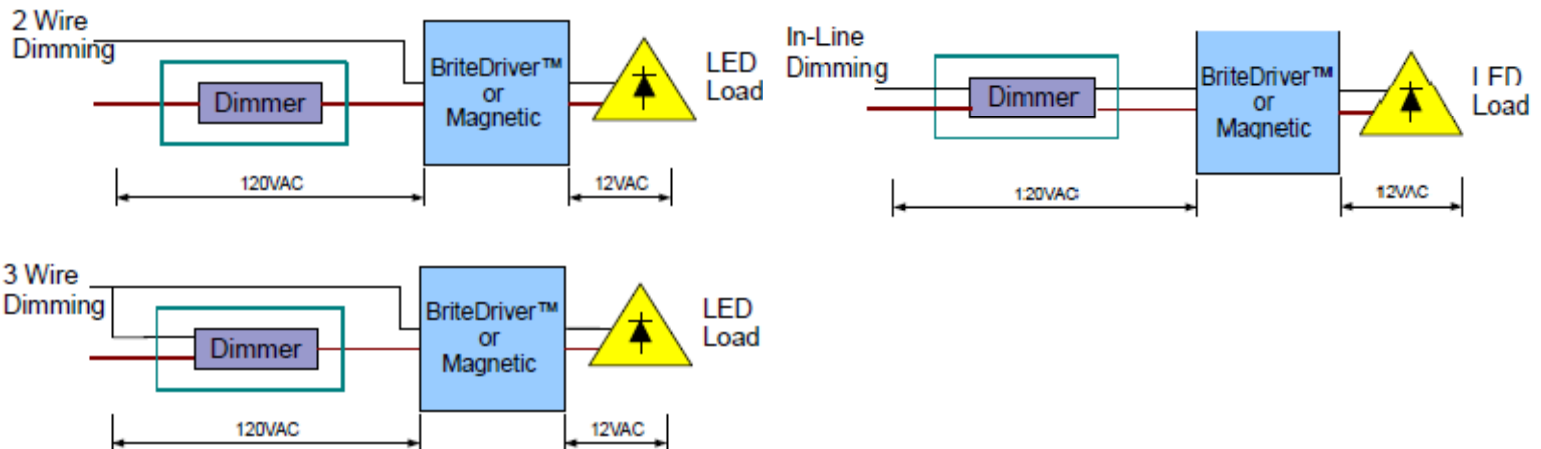
• **Dimensions – Single GeoLite™, Festoon Lamp**

GF10CCXXK-24	Length	Width	Height
Size in Millimeters	44.5 mm	17.5 mm	12.7 mm
Size in Inches	1 ¾"	¾"	½"

**Part Numbering**



• **Typical Dimmer Configurations**



- **Pricing, Availability and Ordering information is available from Lynk Labs at:** Telephone; 847-783-0123, Email; [sales@lynklabs.com](mailto:sales@lynklabs.com), Web; [www.lynklabs.com](http://www.lynklabs.com)

