



GeoLite™ – Flat Wedge

Data Sheet

GWF05CCXXK-12

0.5W, 12V AC-LED Lamp

The GeoLite™ 0.5-Watt Flat Wedge Lamp replaces existing 5-Watt Xenon Lamps in existing or new 12 VAC Systems. These lamps can be used in numerous applications including; Cove Lighting, Under Cabinet Lighting, Display & Showcase, Vacuum Cleaner Lights and more. Key benefits for this product include:



- **Significant Energy Savings – Uses up to ten times less power!**
- **Compatible with existing 12V AC Wedge Base Sockets – Plug & Play.**
- **Dimmable – Works with most existing AC Dimmers.**
- **Long Operating Life – 50,000 hours if used as specified!**

• Electro-Optical Characteristics

| Model Number | CCT | VAC | Power | Lumen | lm/W |
|---------------|-------|----------------|----------|-------|------|
| GWF05CC27K-12 | 2700K | 12 VAC Maximum | 0.5 Watt | 20 | 46 |
| GWF05CC30K-12 | 3000K | 12 VAC Maximum | 0.5 Watt | 23 | 46 |
| GWF05CC40K-12 | 4000K | 12 VAC Maximum | 0.5 Watt | 27 | 54 |
| GWF05CC50K-12 | 5000K | 12 VAC Maximum | 0.5 Watt | 30 | 60 |

LPW data is based on system efficiency @ 12 VAC. Values based on Ta = 25°C & Tj = 70°C.

• Operating Characteristics (single Lamp)

| Characteristic | GWF05CCXXK-12 |
|--------------------|--|
| Drive Voltage | Minimum = 7.5 VAC, Maximum = 12.0 VAC |
| Thermal Management | T-Junction Maximum = 70°C |
| Viewing Angle | 140° |
| CCT Options (W-C) | 3000K, 4000K, 5000K per ANSI_NEMA_ANSLG C78.377-2008 |
| CRI Options (W-C) | Standard = 85, High = 92 |

• Powering Specifications

| Power Supply/Driver | Output RMS | Frequency | Minimum Load | Dimming |
|---------------------|------------|-----------|--------------|---------|
| BriteDriver™ | 12 VAC | 40 kHz | 1 Watt | Input |
| 12 VAC Magnetic | 12 VAC | 50/60 Hz | 5 Watt | Input |

Warning – Do Not Power this product with More Than 12V AC. Use only with Lynk Labs' BriteDriver™ AC LED Power Supplies or other approved transformers. Any Exceptions Void all warranties. Contact Lynk Labs for details and approvals.





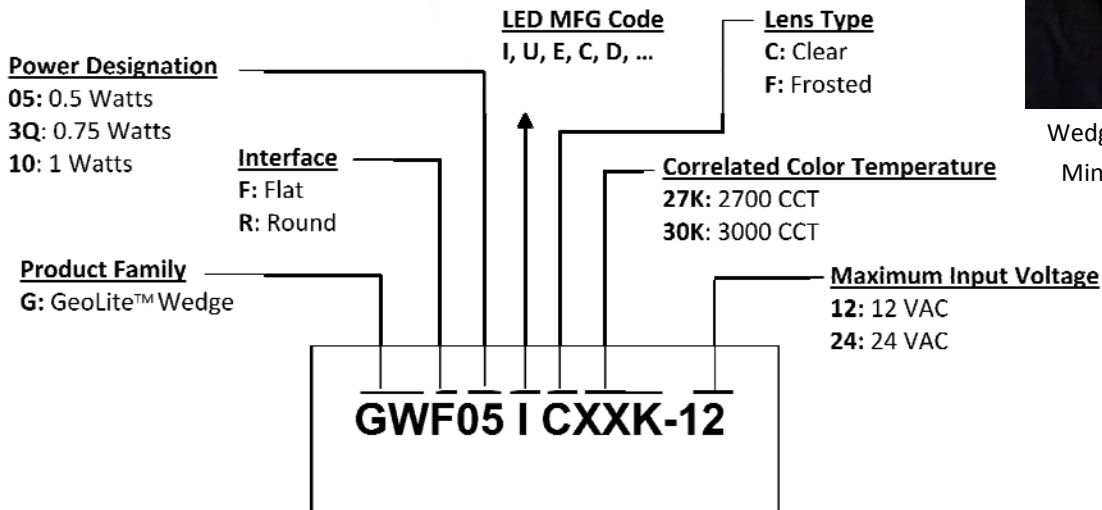
• **Dimensions – Single GeoLite™, Flat Wedge Lamp**

| GF05CCXXK-12 | Length | Width | Height |
|---------------------|----------|----------|---------|
| Size in Millimeters | 38.10 mm | 19.05 mm | 6.35 mm |
| Size in Inches | 1 1/2 " | 3/4 " | 1/4 " |

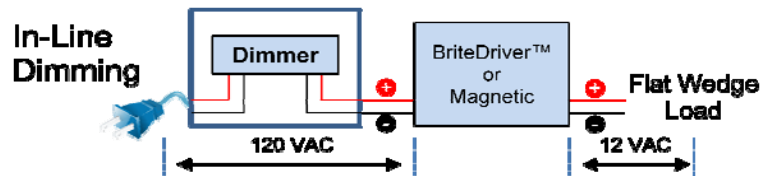
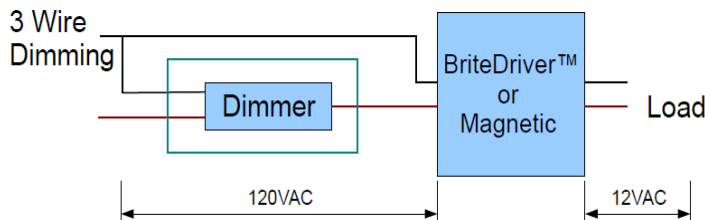
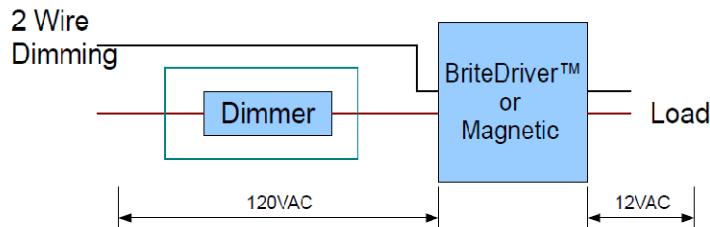


Wedge-Based Mini-Track

• **Part Numbering**



• **Typical Dimmer Configurations**



• **Pricing, Availability and Ordering information is available from Lynk Labs at:**
 Telephone; 847-783-0123, Email; sales@lynklabs.com, Web; www.lynklabs.com

