



# GeoLite™ – Festoon

# Data Sheet

## GF10CXK-24

## 1W, 24V AC-LED Lamp

The GeoLite 1Watt Festoon Lamp replaces existing 5 Watt Xenon Lamps in existing or new 24 VAC Systems. These lamps can be used in numerous applications including; Cove Lighting, Under Cabinet Lighting, Accent Lighting, Display Lighting and more. Key benefits for this product include:



- **Significant Energy Savings – Uses up to ten times less power!**
- **Compatible with existing 24V AC Systems – Plug & Play.**
- **Dimmable – Works with most existing AC Dimmers.**
- **Long Operating Life – 50,000 hours if used as specified!**
- **Also in Frosted Lens (GF10FXK-24) – Reduces Glare & Provides Softer Light.**

### • Electro-Optical Characteristics

| Model Number | CCT   | VAC            | Power  | Lumen | lm/W |
|--------------|-------|----------------|--------|-------|------|
| GF10C3K-24   | 3000K | 24 VAC Maximum | 1 Watt | 23    | 23   |
| GF10C4K-24   | 4000K | 24 VAC Maximum | 1 Watt | 27    | 27   |
| GF10C5K-24   | 5000K | 24 VAC Maximum | 1 Watt | 30    | 30   |

LPW data is based on system efficiency @ 12 VAC. Values based on Ta = 25°C & Tj = 70°C.

### • Operating Characteristics (single Lamp)

| Characteristic     | GF10CXK-24  |
|--------------------|---|
| Drive Voltage      | Minimum = 15 VAC, Maximum = 24.0 VAC                |
| Thermal Management | T-Junction Maximum = 70°C                           |
| Viewing Angle      | 140°  |
| CCT Options (W-C)  | 3000K, 4000K, 5000K per ANSI_NEMA_ANSI C78.377-2008 |
| CRI Options (W-C)  | Standard = 85, High = 92                            |

### • Powering Specifications

| Power Supply/Driver | Output RMS | Frequency | Minimum Load | Dimming |
|---------------------|------------|-----------|--------------|---------|
| BriteDriver™        | 24 VAC     | 40 kHz    | 1 Watt       | Input   |
| 24 VAC Magnetic     | 24 VAC     | 50/60 Hz  | 5 Watt       | Input   |

**Warning – Do Not Power Festoon Lamp with more than 24V AC.** Use only with Lynk Labs' BriteDriver™ AC LED Power Supplies or other approved transformers. Any Exceptions Void all warranties. Contact Lynk Labs for details and approvals.





• Dimensions – Single GeoLite™, Festoon Lamp

| GF10CXK-24          | Length  | Width   | Height  |
|---------------------|---------|---------|---------|
| Size in Millimeters | 44.5 mm | 17.5 mm | 12.7 mm |
| Size in Inches      | 1 ¾"    | ¾"      | ½"      |

• Part Numbering



Lamp Type (F = Festoon)

Lens Type (C = Clear)

Power (10 = 1 Watt)

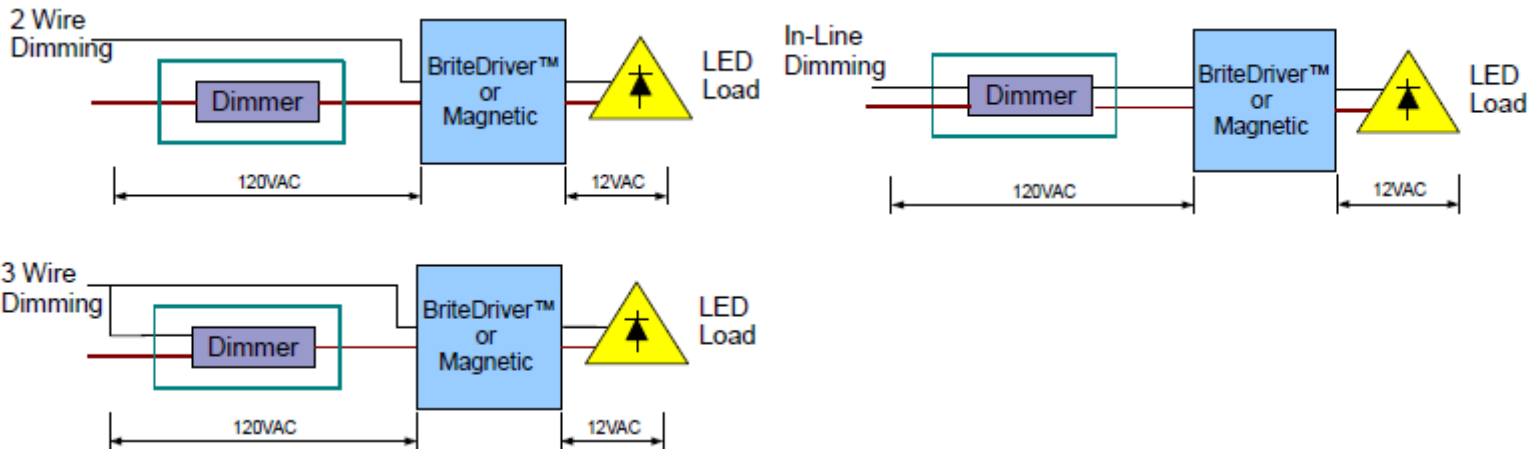
CCT (3K, 4K, 5K)

Product Line (G = GeoLite™)

AC- Voltage (24 = 24 VAC)

**GF10CXK-24**

• Typical Dimmer Configurations



• Pricing, Availability and Ordering information is available from Lynk Labs at:  
 Telephone; 847-783-0123, Email; [sales@lynklabs.com](mailto:sales@lynklabs.com), Web; [www.lynklabs.com](http://www.lynklabs.com)

